

TABLET AND SMARTPHONE CABINET WITH ULTRASONIC AND BLUETOOTH JAMMERS



Most shielded containers simply prevent data from being transmitted to the outside. However, if there is a device infected by a Trojan set to capture ambient audio or to record audio directly to the phone's memory, or if the cell phone recorder is voluntarily activated, simply shielding the signal will not be enough to prevent information leakage.

For this reason, inside our cabinet, each slot (shelf) is equipped with an electronic countermeasure system consisting of ultrasonic transmitters and Bluetooth jammers. The ultrasonic transmitters are able to completely inhibit the microphones of smartphones while the integrated Bluetooth jammers inhibit the connection with any headphones, earphones, smartwatches or any Bluetooth accessory.

This feature is extremely important as it allows us to automatically disconnect all accessories connected to the cell phone, making it impossible for a phone compromised by a Trojan to capture ambient audio from the headphones or earphones or smartwatches to which it may be connected.

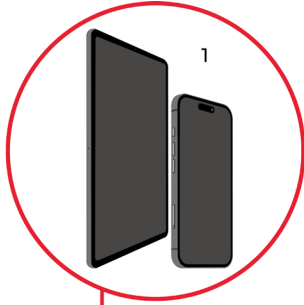
IMPORTANT: These devices are handcrafted in Italy, and each device is subjected to rigorous testing with the aid of forensic-level filtering software.

SPECIFICATIONS

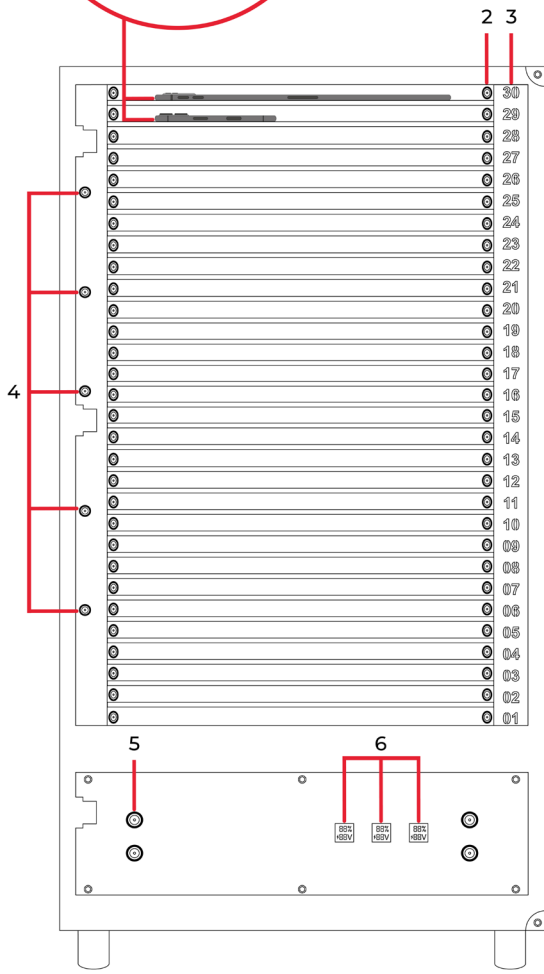
Battery life	Over 2 hours if not powered by 220V electrical outlet
Capacity	n. 30 13" Ipad Pro and n. 60 6,7" iPhone
Dimensions	100 x 48 x 38 cm
Weight	32 Kg empty / about 55 Kg fully loaded

IMPORTANT

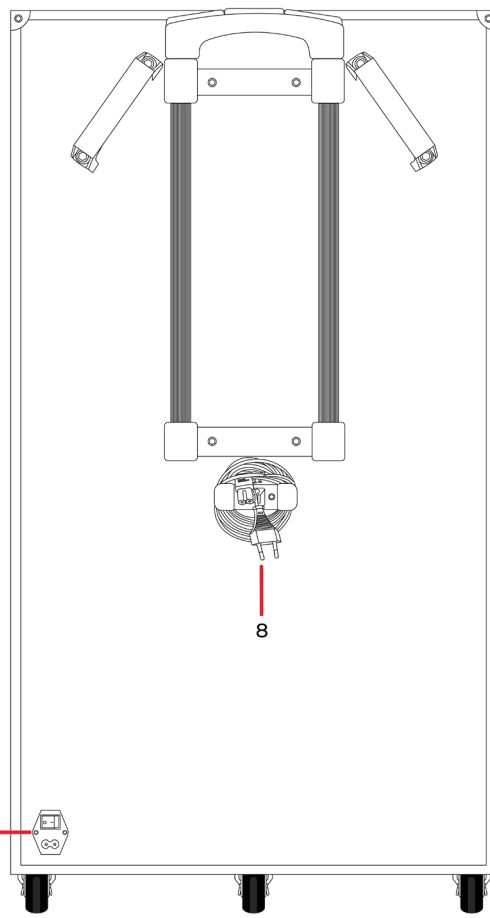
If Bluetooth jammers are activated in addition to ultrasonic jammers, devices in the immediate vicinity may lose their Wi-Fi connection.



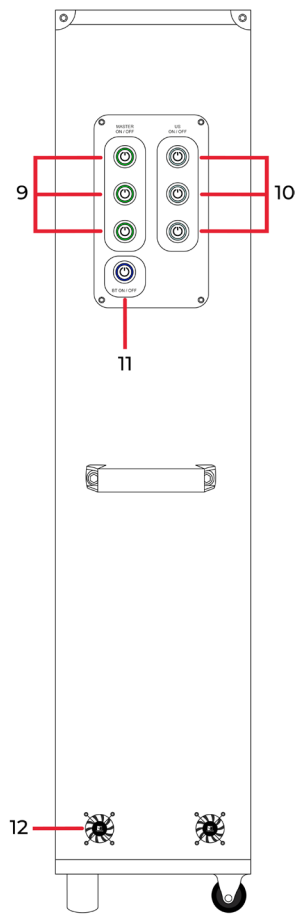
1. 13" tablets and 6,7" smartphones
2. Internal Ultrasonic Transmitters
3. Backlit numbers
4. Lateral ultrasonic transmitters
5. Frontal ultrasonic transmitters
6. Battery status indicators
7. Power input
8. Power cord
9. Battery on/off buttons (Green LED)
10. Ultrasonic Jammers on/off button (White LED)
11. Bluetooth jammer on/off button (Blue LED)
12. Fans



FRONT



BACK



LEFT SIDE

- ▶ Smartphones and tablets placed inside are not able to record any type of sound outside the box nor can they connect to external headphones or smartwatches.
- ▶ Operation from 220V continuous power supply or battery with over 2 hours of autonomy.
- ▶ LED indicators indicate that the jammers are working properly.
- ▶ Shelves with backlit numbering.
- ▶ Possibility of customization with company logo.

SIDE CONTROL PANEL



- power buttons batteries
- power buttons ultrasonic jammers
- power button Bluetooth jammers